

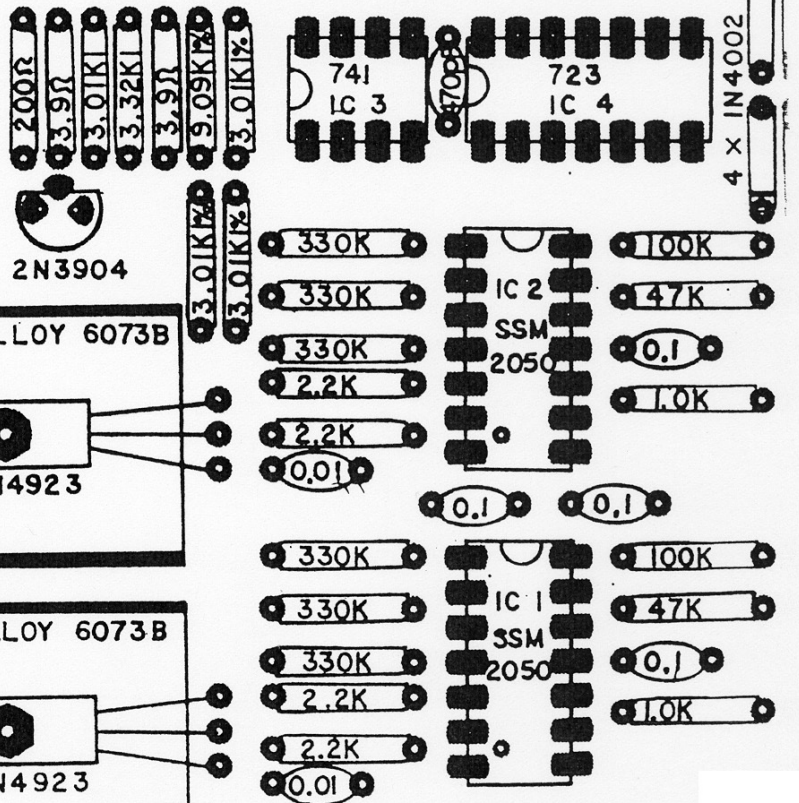
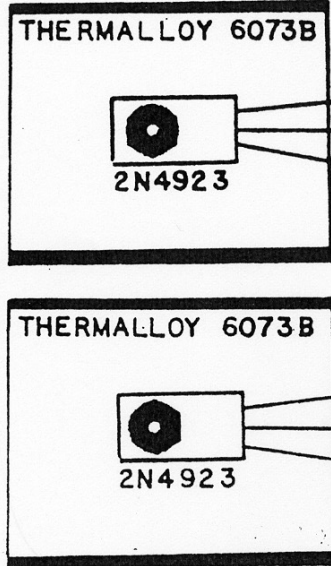
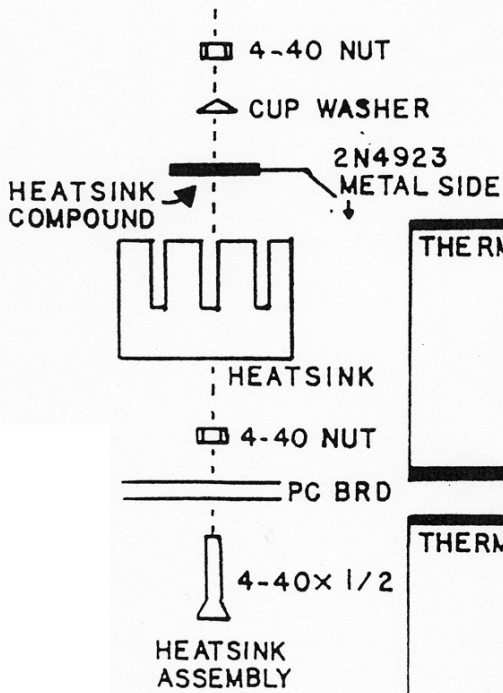
MOLEX 09 65 1031

POWER SUPPLY SECTION

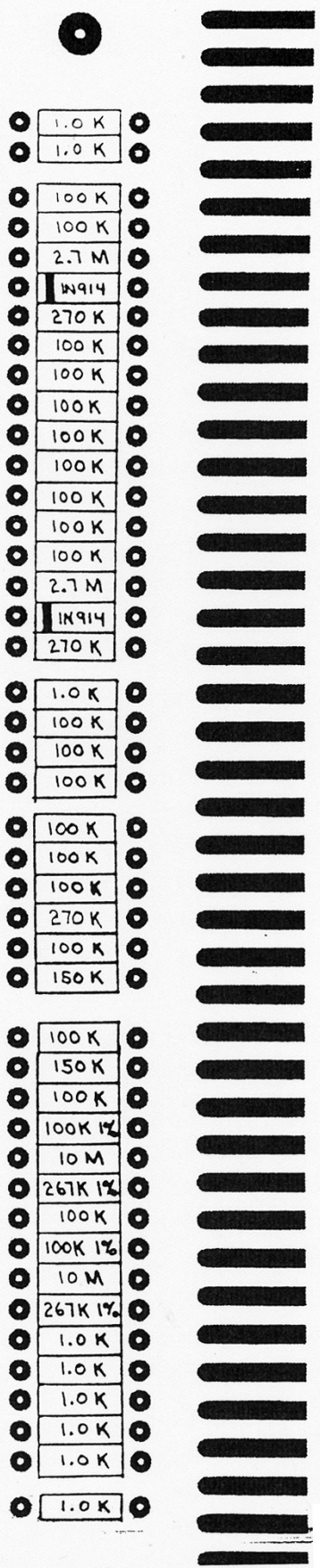
ST 4 36

200μF  
40 V

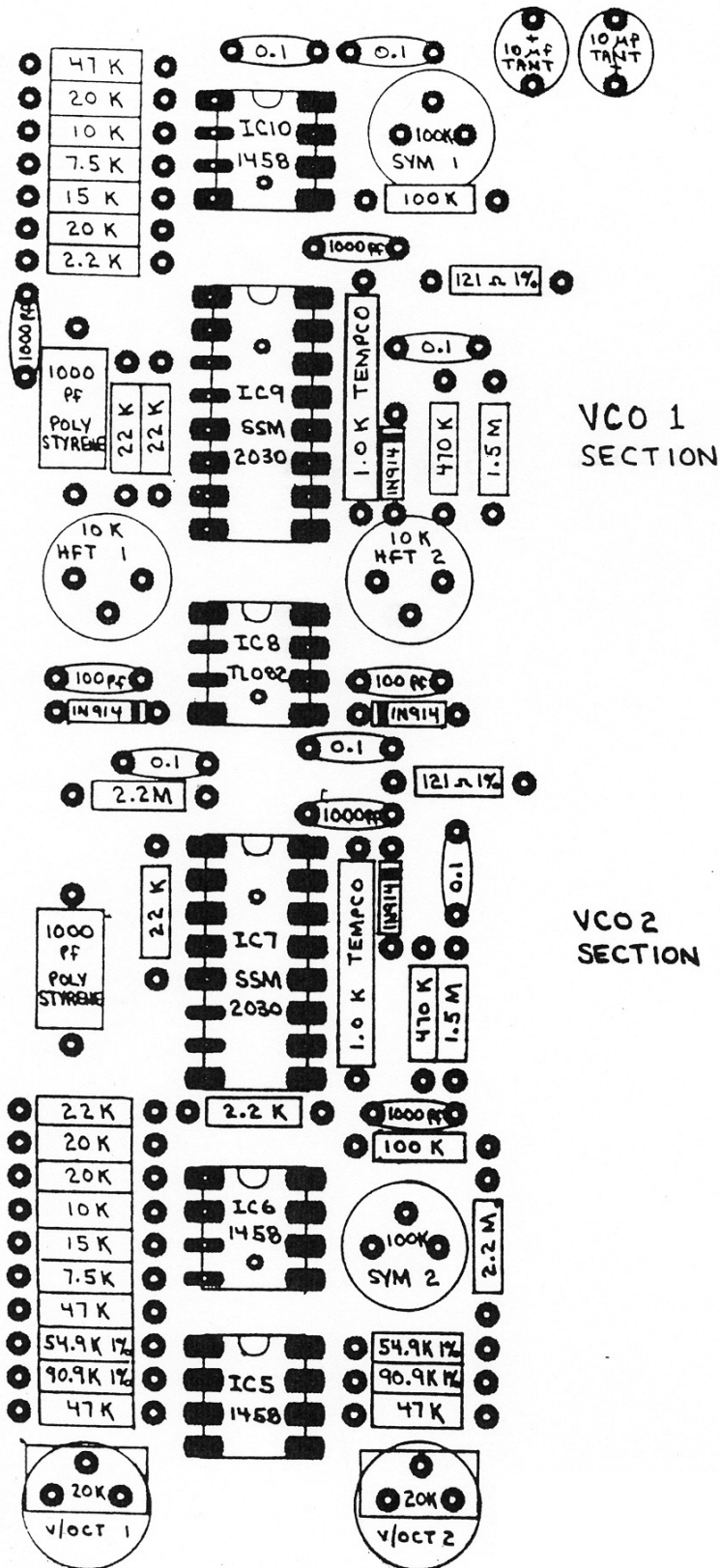
200μF  
40 V



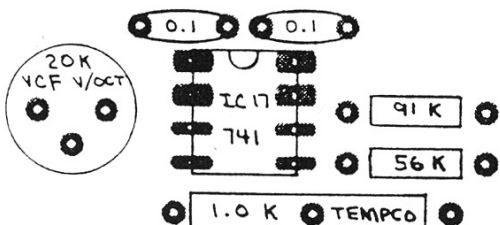
TG SECTION



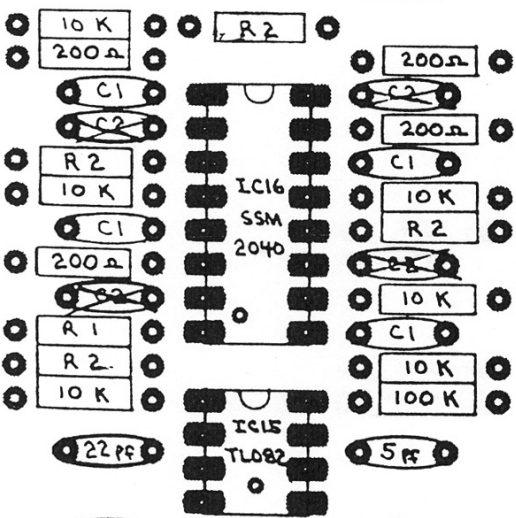
INPUT SECTION







VCF SECTION

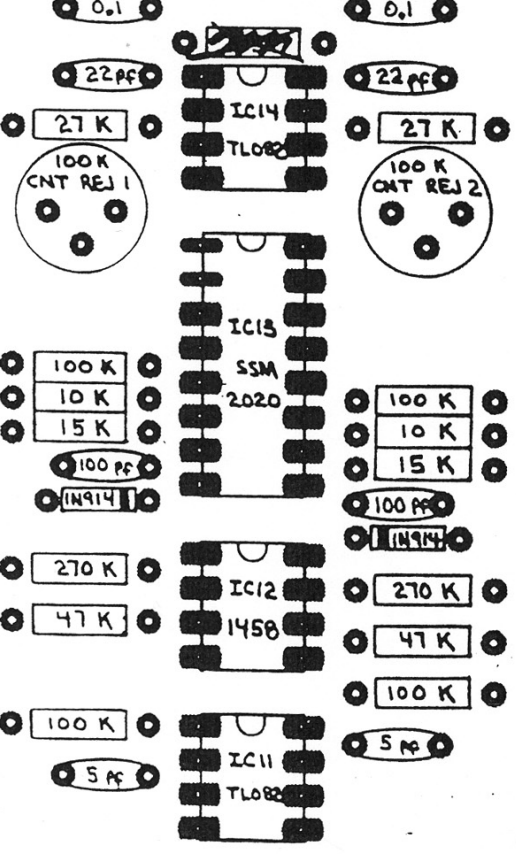


FILTER FUNCTION:

	C1:	C2:	R1:	R2:	R3:
VCLPF *	1000pf	—	10K	10K	—
VCHPF	—	2000pf	—	—	—
ALL PASS (PHASE SHIFT)	—	2000pf	—	10K	10K

\*NOTE: VCLPF IS STANDARD

VCA SECTION



## PARTS LIST - 1610 VEB KIT COMP

QTY	PART#	DESCRIPTION	NOTES
2	IL 1	741 GP OPAMP	
4	IL 2	1458 D OPAMP	
1	IL 11	2020 DL VCA	
1	IL 13	723 REGLTR	
1	IL 15	2040 VCF	
4	IL 17	TL082 OPAMP	
2	IL 21	SSM 2030 VCO	
2	IL 22	SSM 2050 TC	
1	Q 2	2N3904 NPN	
2	Q 16	2N4923	
8	D 1	1N914 SIG	
4	D 2	1N4002	
3	C 2	5 PF CER	
3	C 4	22 PF CER	
4	C 5	100 PF CER	
1	C 8	470 PF CER	
8	C 9	1000 PF CER	
4	C 10	2000 PF CER	
2	C 12	0.01UF CER S	
14	C 15	0.1 UF CER	
2	C 22	10 UF TANT	
2	C 28	200 UF 40 V	
2	C 29	1000PF POLYS	
5	R 4	200 OHM	
2	R 8	3.9 OHM	
11	R 9	1.0K OHM	
6	R 12	2.2K OHM	
2	R 20	7.5K OHM	
15	R 22	10K OHM	
4	R 23	15K OHM	
4	R 25	22K OHM	
2	R 26	27K OHM	
8	R 30	47K OHM	
1	R 31	56K OHM	
29	R 33	100K OHM	
2	R 36	150K OHM	
5	R 39	270K OHM	
6	R 41	330K OHM	
2	R 42	470K OHM	
2	R 46	1.5M OHM	
2	R 48	2.2M OHM	
2	R 49	2.7M OHM	
2	R 54	10M OHM	
4	R 58	20K OHM	
1	R 59	91K OHM	
2	RP 1	90.9K 1%	
2	RP 2	267K 1%	
2	RP 6	100K 1%	
3	RP 10	1.0K TEMP CO	
4	RP 14	3.01K 1%	
1	RP 15	3.32K 1%	
1	RP 16	9.09K 1%	
2	RP 21	121 OHM 5%	
2	RP 22	54.9K	

## PARTS LIST - 1610 VEB KIT COMP

QTY	PART#	DESCRIPTION	NOTES
2	TR 1	10K 3/8" ST	
2	TR 4	20K 12 TURN	
1	TR 9	20K 3/8" ST	
4	TR 10	100K 3/8" ST	
1	CN 11	VEB PWR CONN	
1	CN 26	CARD EDGE CN	
1	CN 27	VEB PWR MATE	
3	CN 28	VEB PWR PINS	
2	H 12	4-40X1/2 FH	
4	H 15	4-40 KEPPNUT	
1	M 10	VEB PWR XFMR	
2	M 15	TINY HEATS NK	
1	CB 62	VEB CB	

E-mu Systems

ENGINEERING CHANGE ORDER # 002

DATE 0/12/80

MODULE / SUBMODULE CAT. # 101- VCE

~~MODIFY ser#~~ through  
~~NEW serial# starts:~~  
~~REPRIOR serial#(s)~~

PURPOSE:

ECC AFFECTS:  SCHEMATIC  
 PARTS LIST  
 ASSEMBLY DIAGRAM  
 PC BOARD  TAPE UP  NEGS  DRILL INST  
 PANEL  TAPE UP  NEGS  DIMENSIONAL  
 OTHER

CHANGE:

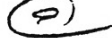
~~ASSEMBLY~~ DIAGRAM / INSTRUCTIONS:

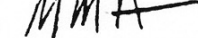
VCLPF STUFFING (LEAVES OUT SOME PARTS)

AC PLUG INSTALLATION KINKS (SPACING)

DEGREASING POINT

PRIORITY / ACTION NEEDED: LOW PRIORITY / MODIFY ASSEMBLY DIAG.

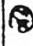
ECC originated by: 

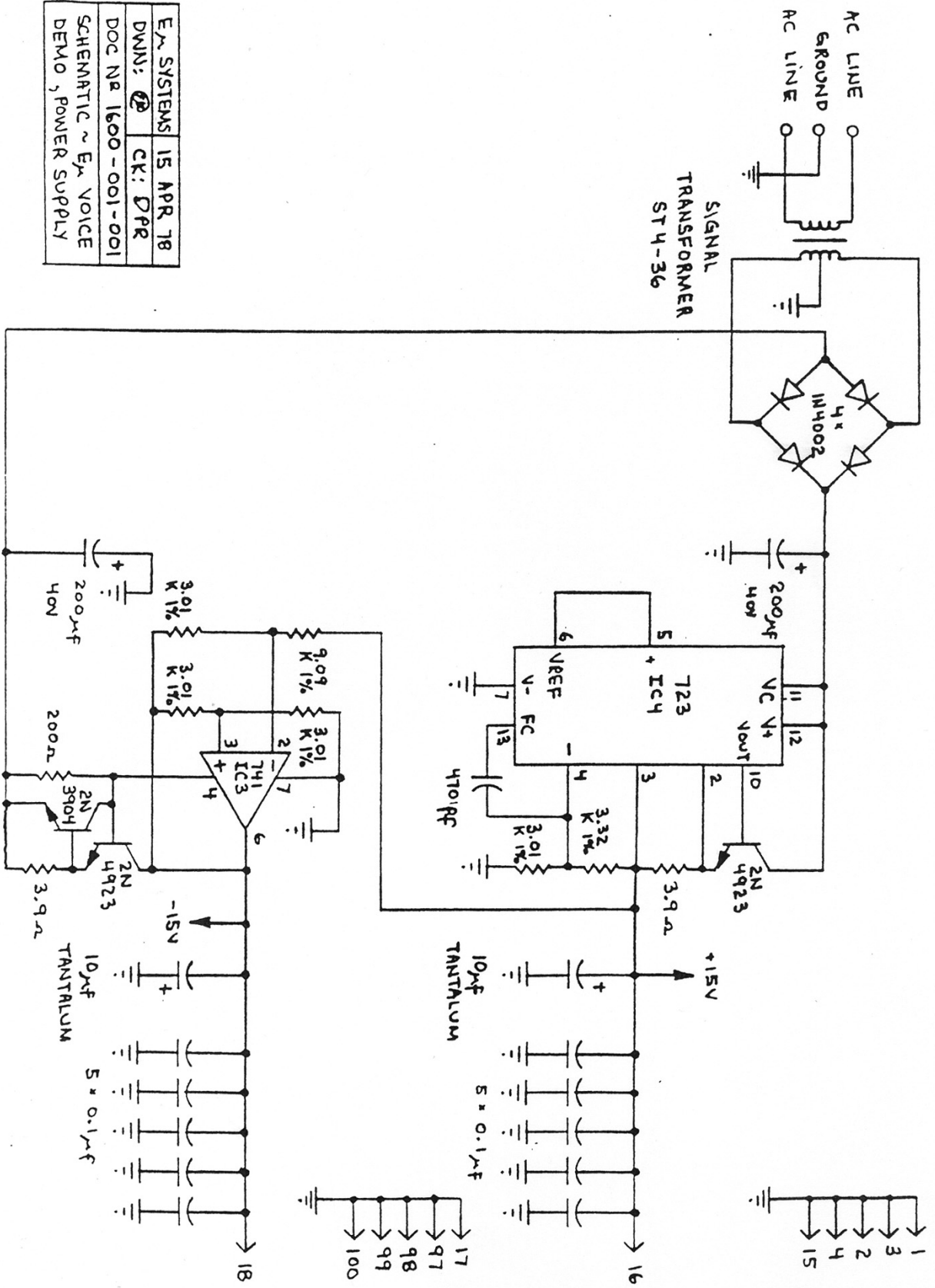
OK by: MMA 

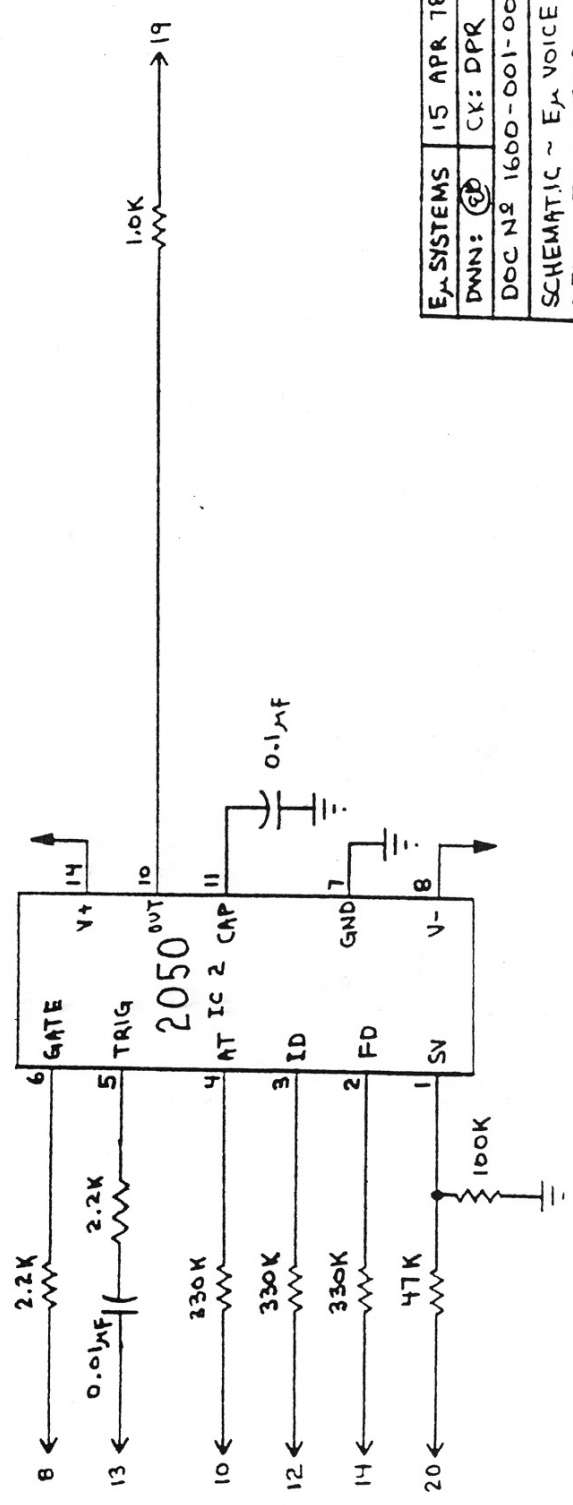
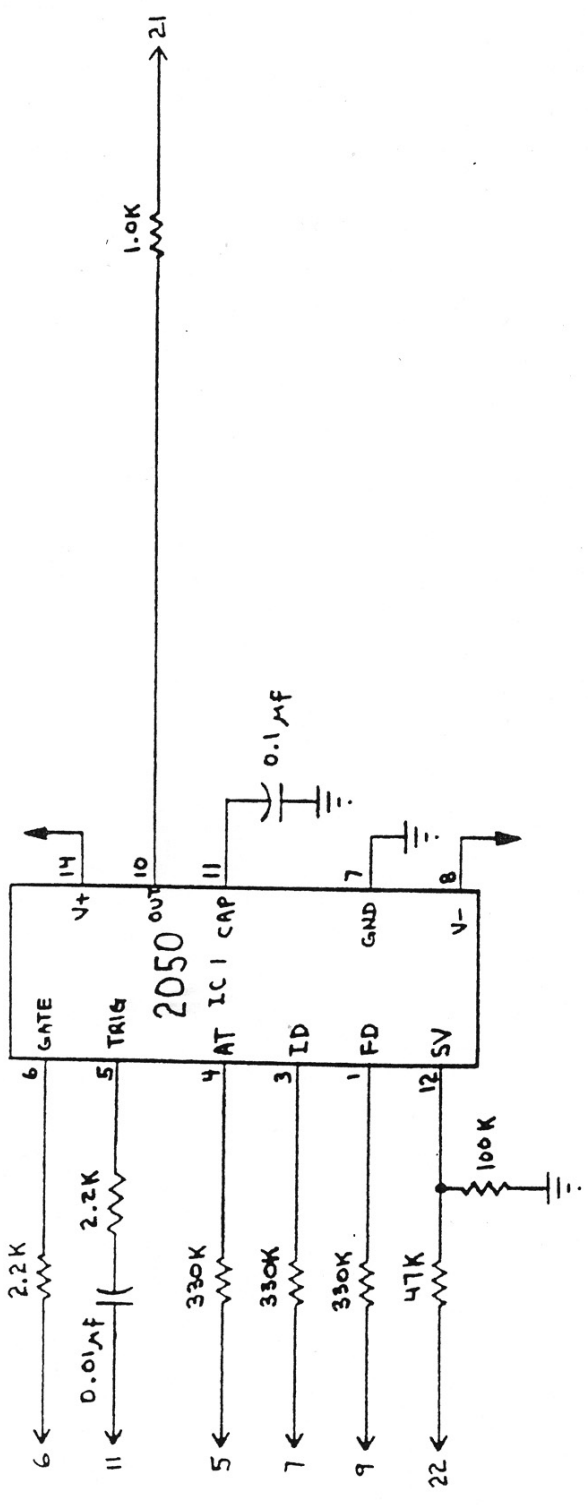
ECC status:

this copy: ASSEMBLY PACKAGE / MASTER DOCUMENT FILE / ECO FILE

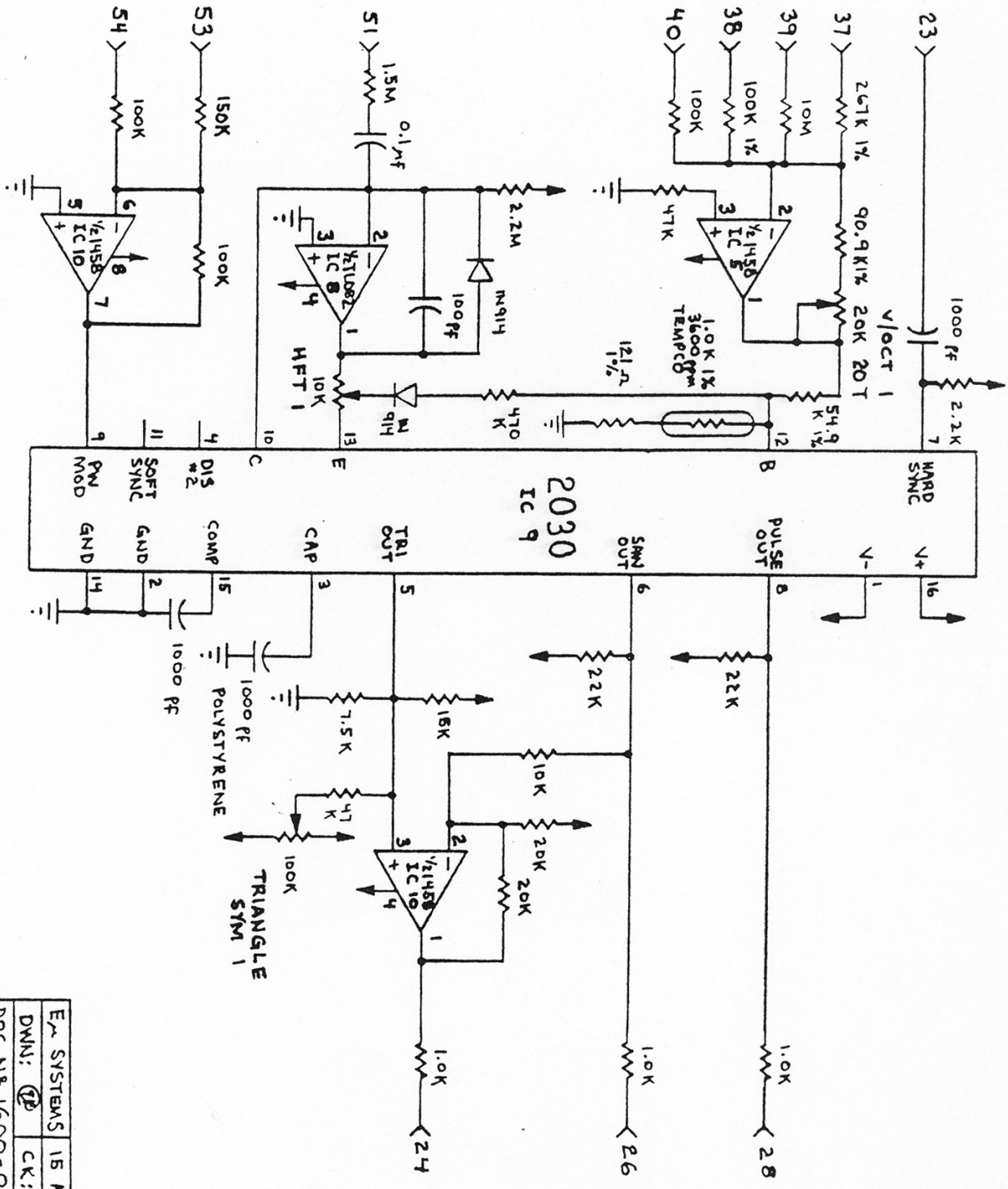


E.A. SYSTEMS 15 APR 78  
 DWNN:  CK: DPR  
 DOC NR 1600-001-001  
 SCHEMATIC ~ E.A. VOICE  
 DEMO, POWER SUPPLY

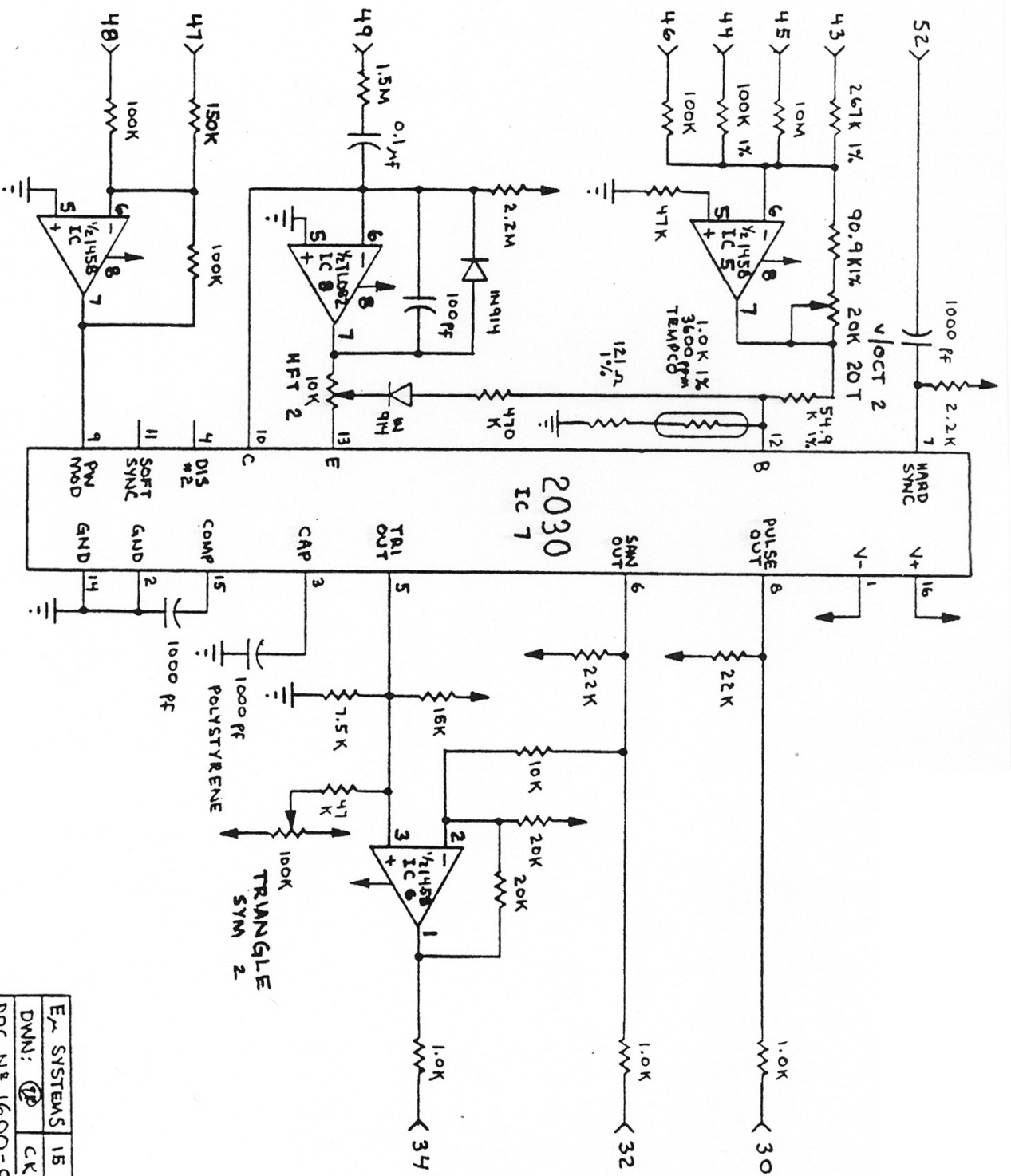




E <sub>A</sub> SYSTEMS	15 APR 78
DWN:	CX: DPR
DOC NO 1600-001-001	
SCHEMATIC ~ E <sub>A</sub> VOICE	
DEMO, TG1 & TG2	

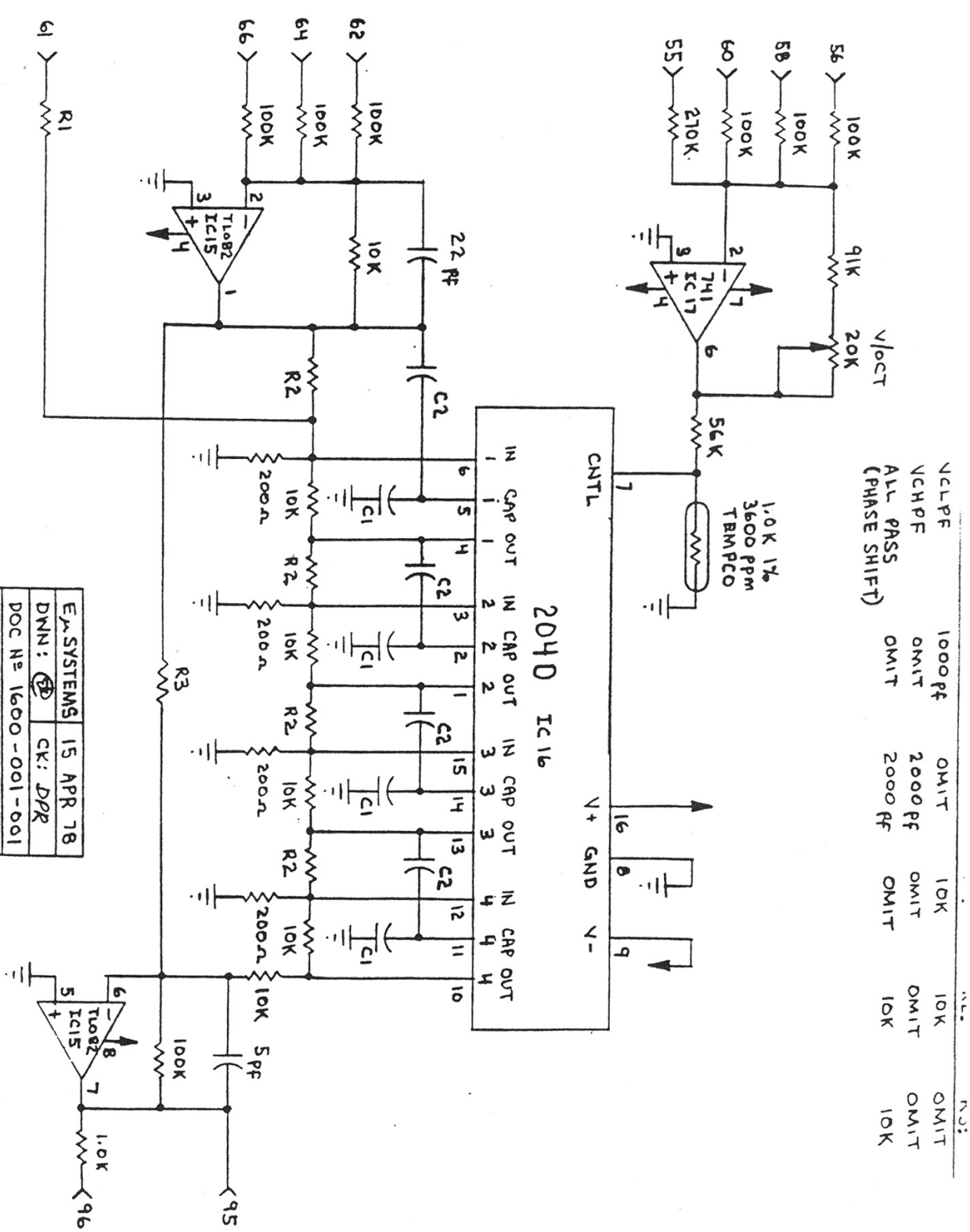


EM SYSTEMS	15 APR 78
DWN: (signature)	CK: DPR
DOC No 1600-001-001	
SCHEMATIC ~ EM VOICE	



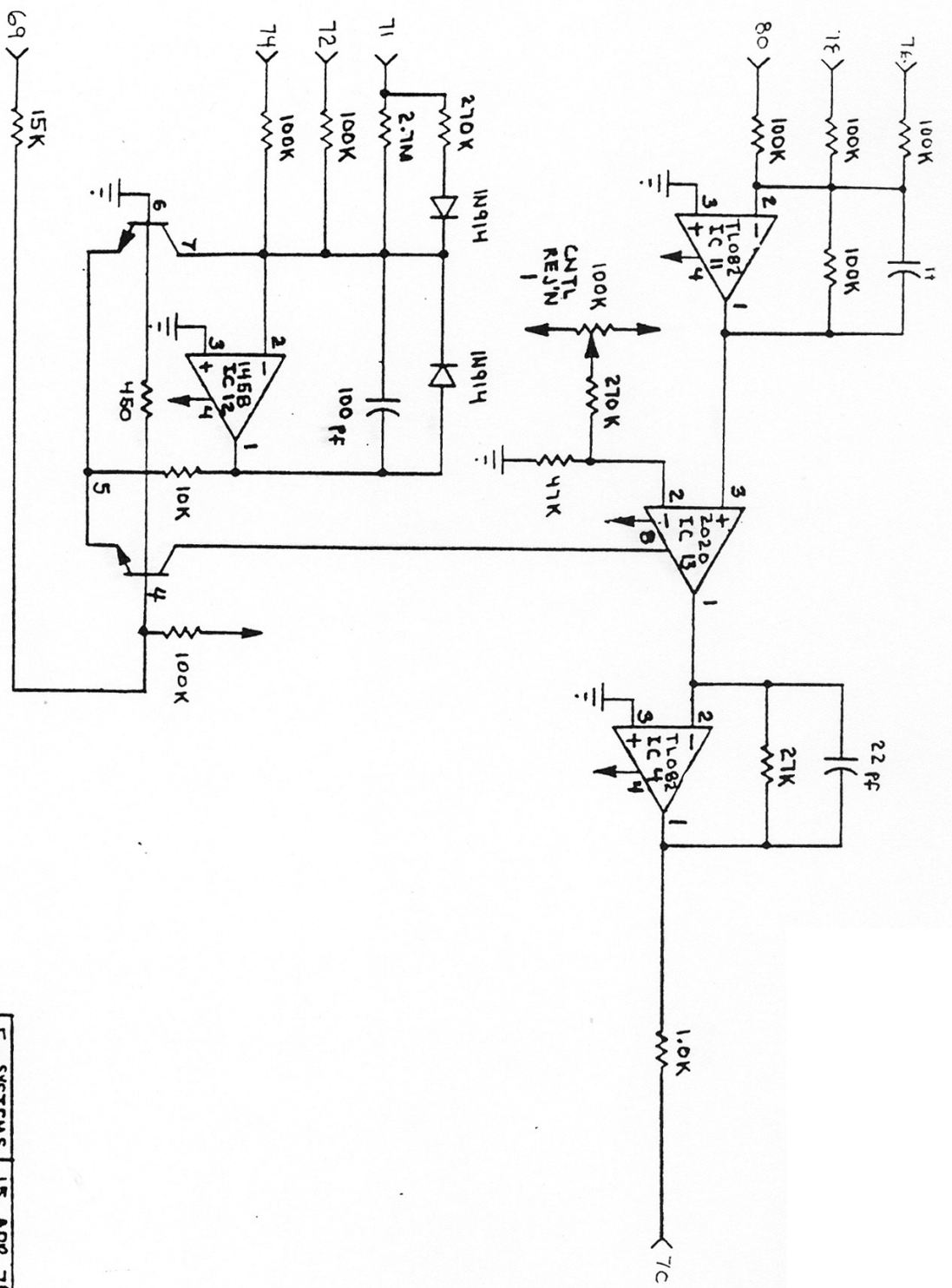
EM SYSTEMS	15 APR 78
DWN: DP	CK: DPR
DOC N° 1600-001-001	
SCHEMATIC ~ EM VOICE	
DEMO, VCO 2	



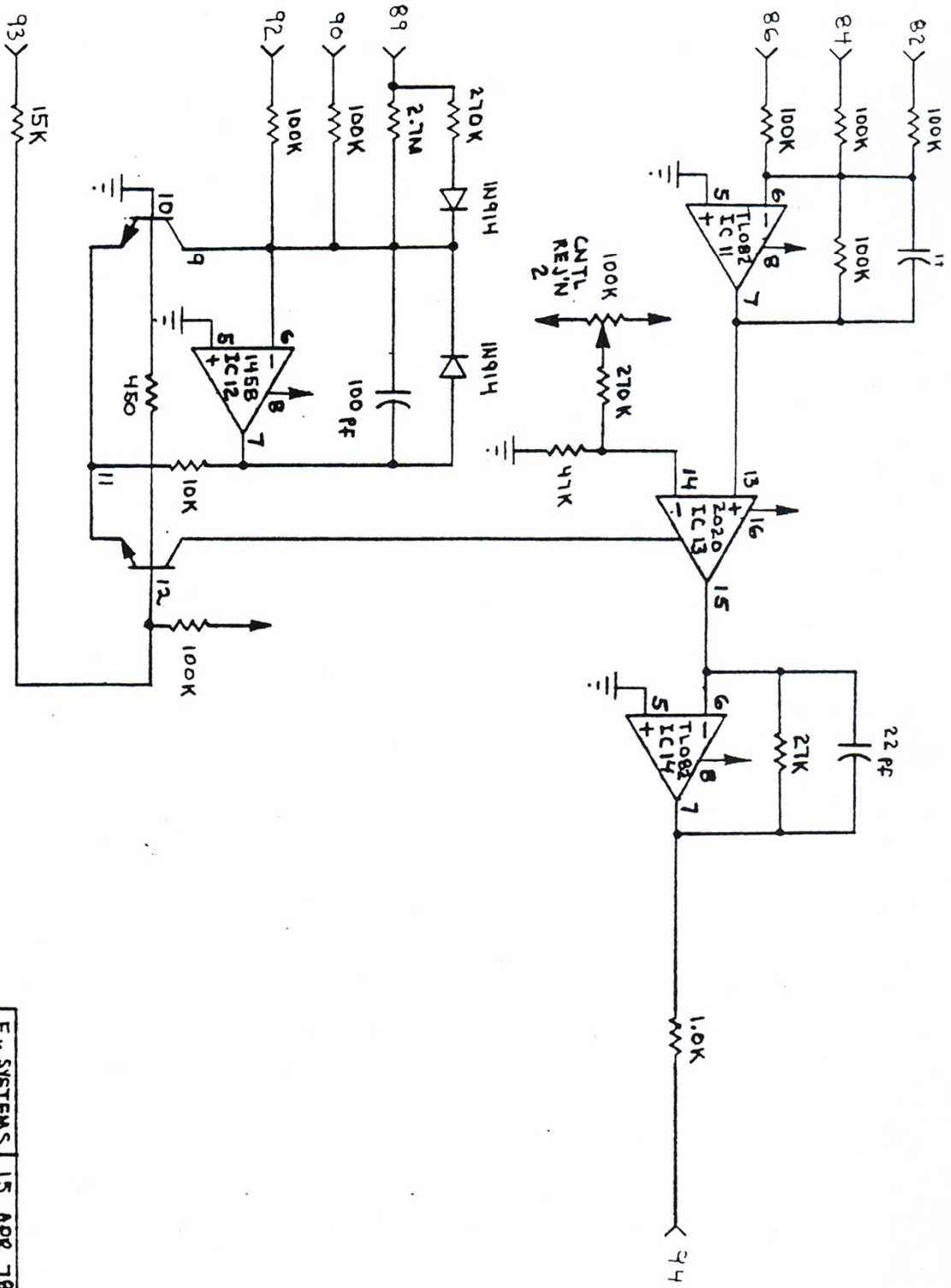



VCLPF	1000pF	OMIT	10K	OMIT
VCHPF	OMIT	2000pF	OMIT	OMIT
ALL PASS (PHASE SHIFT)	OMIT	2000pF	OMIT	10K

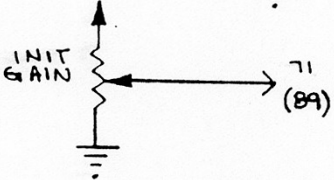
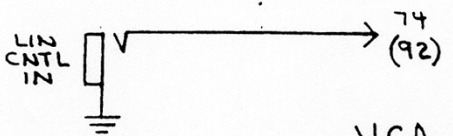
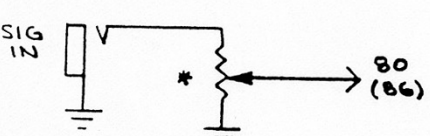
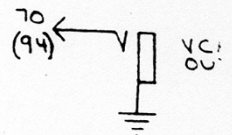
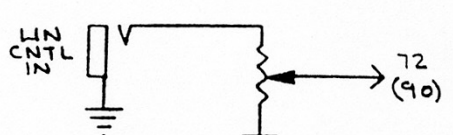
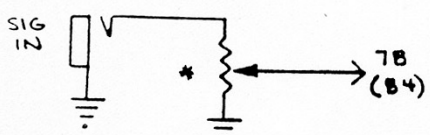
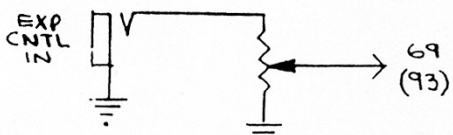
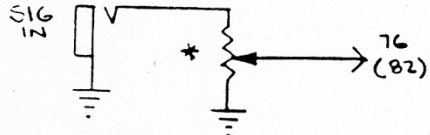
E.A. SYSTEMS 15 APR 78  
 DWN: CK: DPR  
 DOC No. 1600-001-001  
 SCHEMATIC ~ E.A. VOICE  
 DEMO, VCLPF/HP FILTER



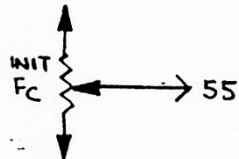
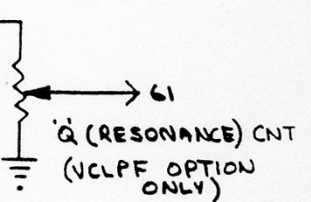
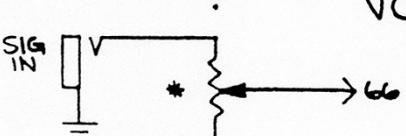
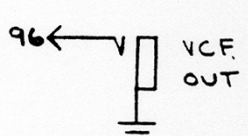
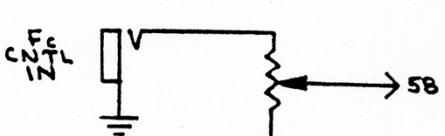
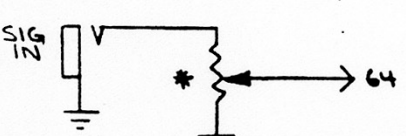
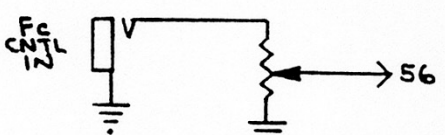
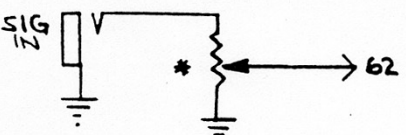
EA SYSTEMS	15 APR 78
DMN: (E)	CK: DPR
DOC N° 1600-001-001	
SCHEMATIC ~ EA VOICE	
DEMO, VCA 1	



EYA SYSTEMS	15 APR 78
DWN: 	CK: DPR
DOC N° 1600-001-001	
SCHEMATIC ~ EYA VOICE	
DEMO, VCA 2	



VCA (x2)



VCF (x1)

ALL POTS 100K  
 LINEAR ALWAYS OK  
 \* = LOG PREFERRED  
 (n) = 2nd SECTION REF.

E <sub>μ</sub> SYSTEMS	15 MAY 78
DWN: <i>(signature)</i>	CK: <i>(signature)</i>
DOC N° = 1600-001-001	
SCHEMATIC ~ E <sub>μ</sub> VOICE	
DEMO: TYP. FRONT PANEL	